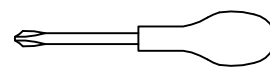
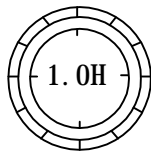
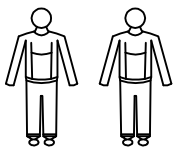
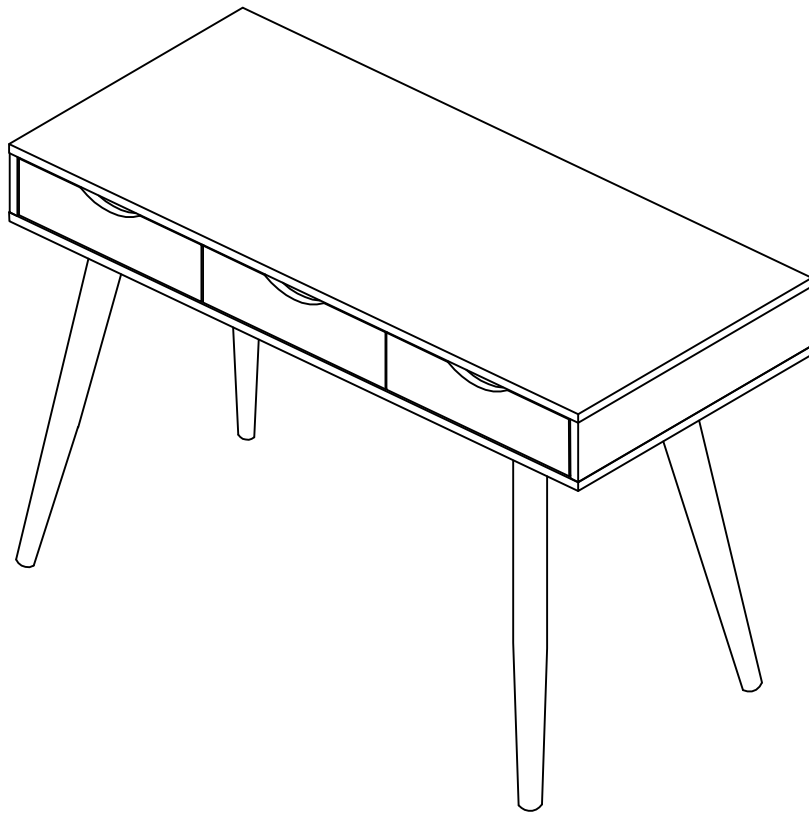
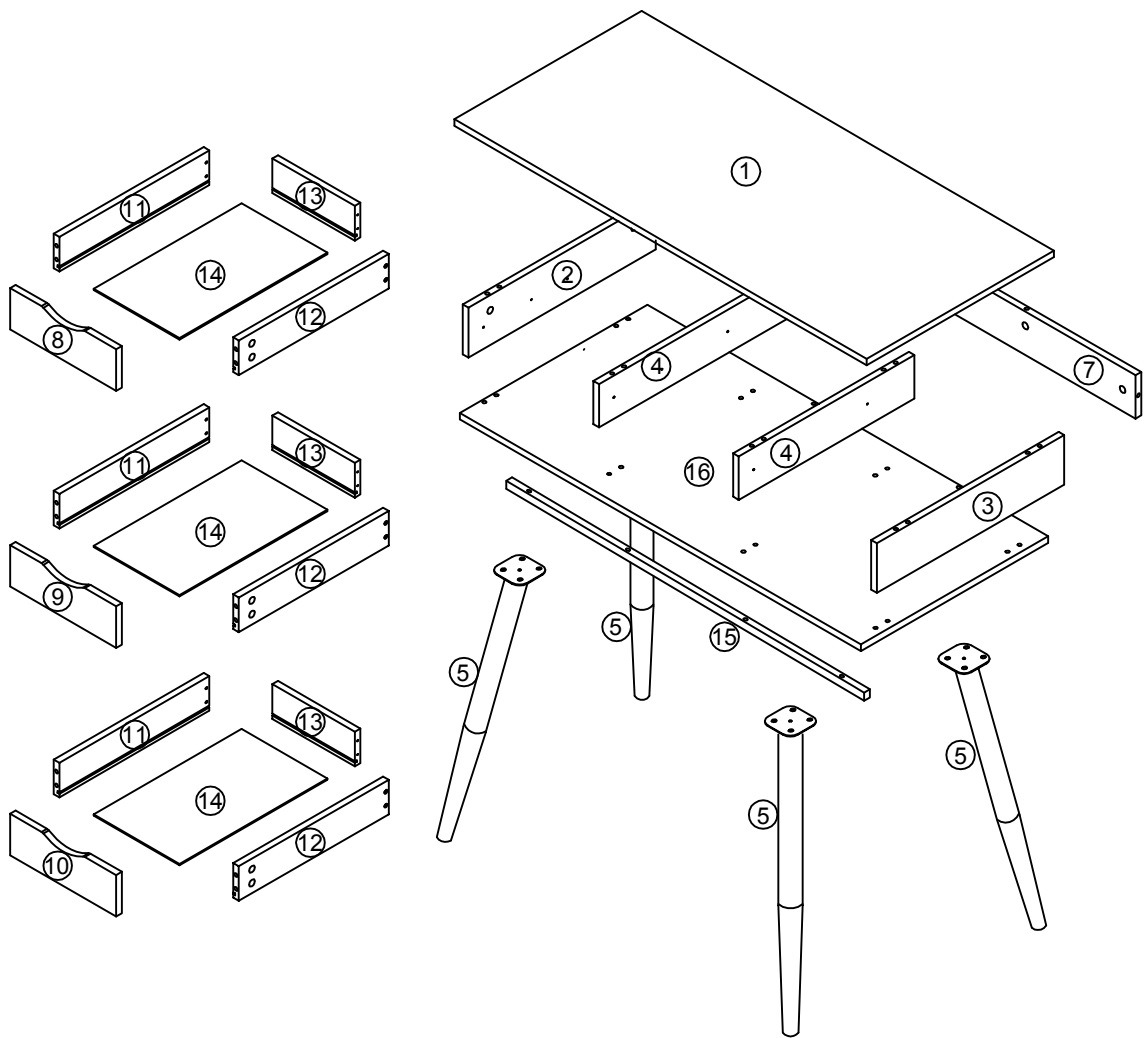


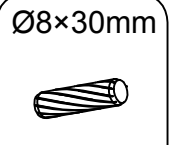
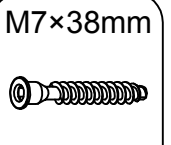

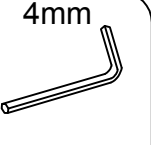



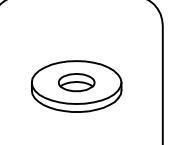



# WALLY & EXETER

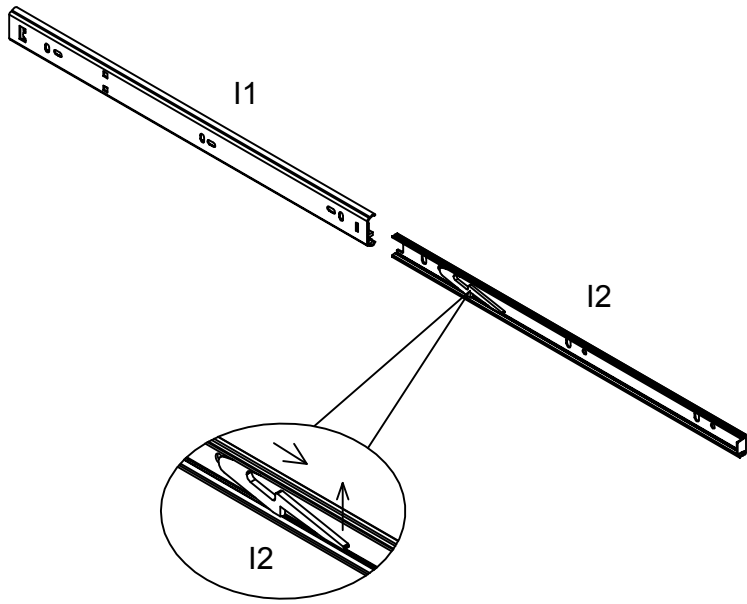
---





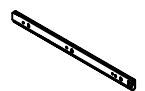
 <p>M6×45mm</p> <p>A × 25</p>	 <p>Ø15×12mm</p> <p>B × 25</p>	 <p>Ø8×30mm</p> <p>C × 16</p>	 <p>M7×38mm</p> <p>D × 11</p>	 <p>M6×15mm</p> <p>E × 16</p>	 <p>4mm</p> <p>F × 1</p>
 <p>M3.5×14mm</p> <p>G × 24</p>	 <p>M4×35mm</p> <p>H × 12</p>	 <p>L=380mm</p> <p>I × 6</p>	 <p>J × 16</p>	 <p>M6×30mm</p> <p>K × 4</p>	

1



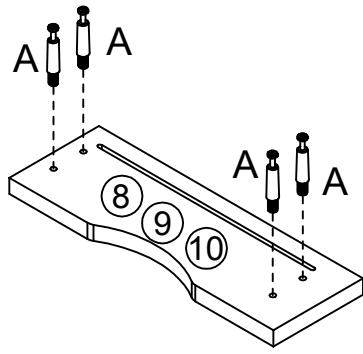
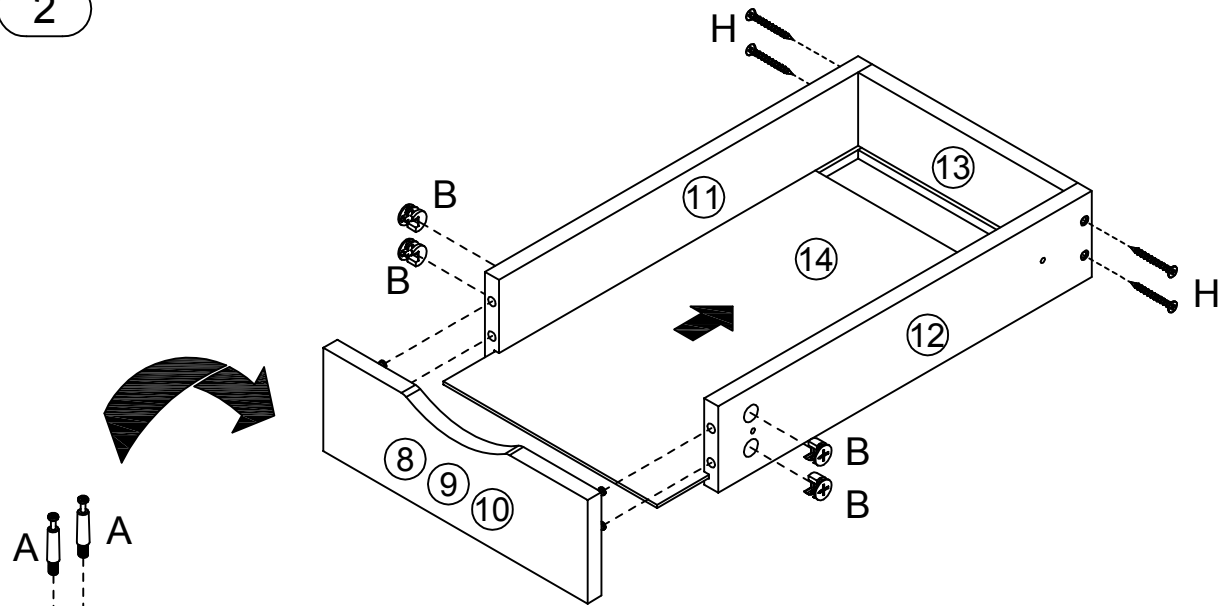
×6

L=380mm




I × 6

2




M6×45mm




A × 12

Ø15×12mm



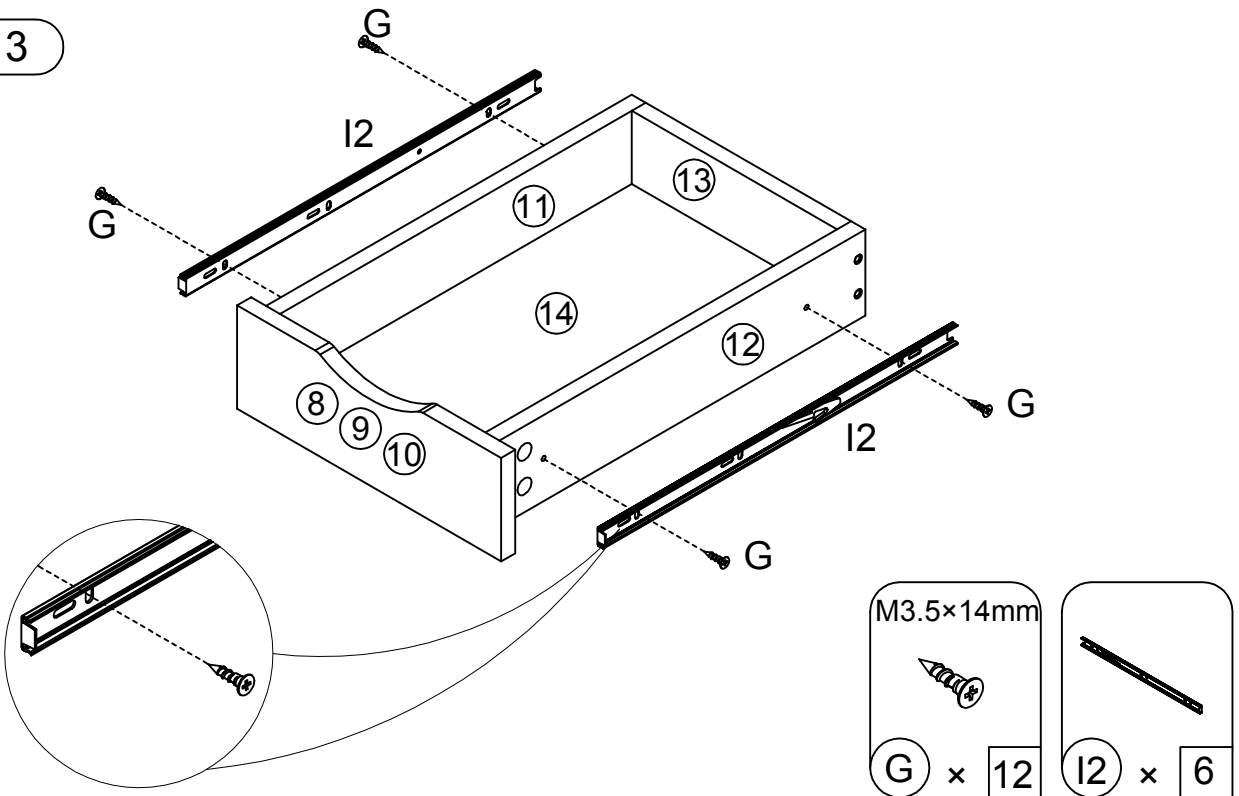
B × 12

M4×35mm

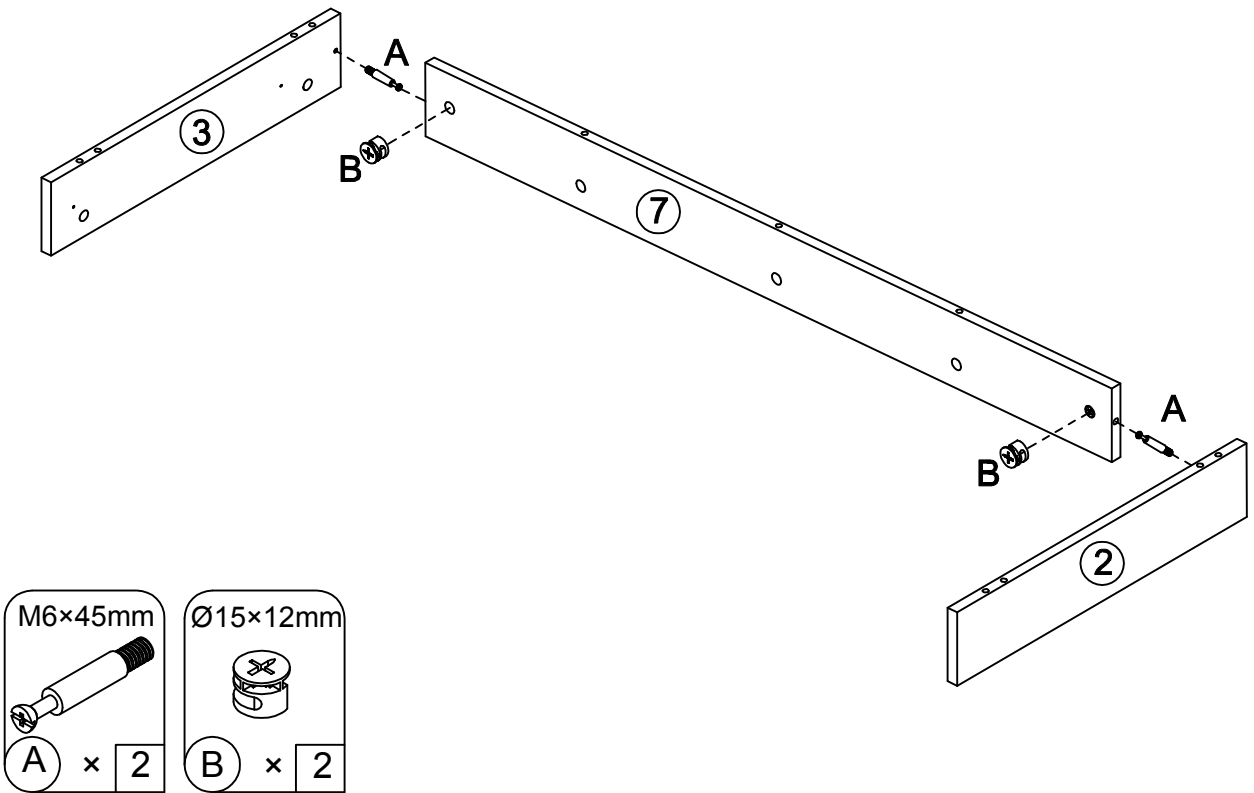


H × 12

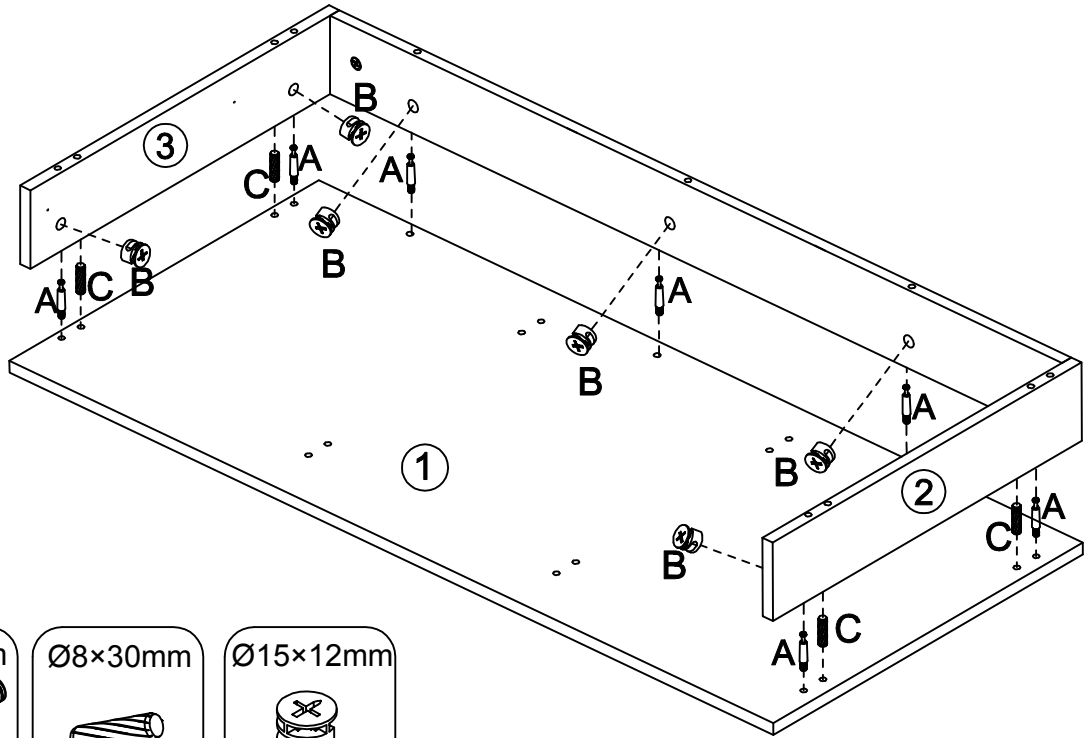
3



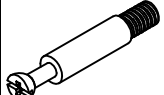
4



5

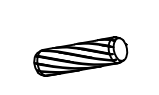


M6×45mm



A × 7

Ø8×30mm



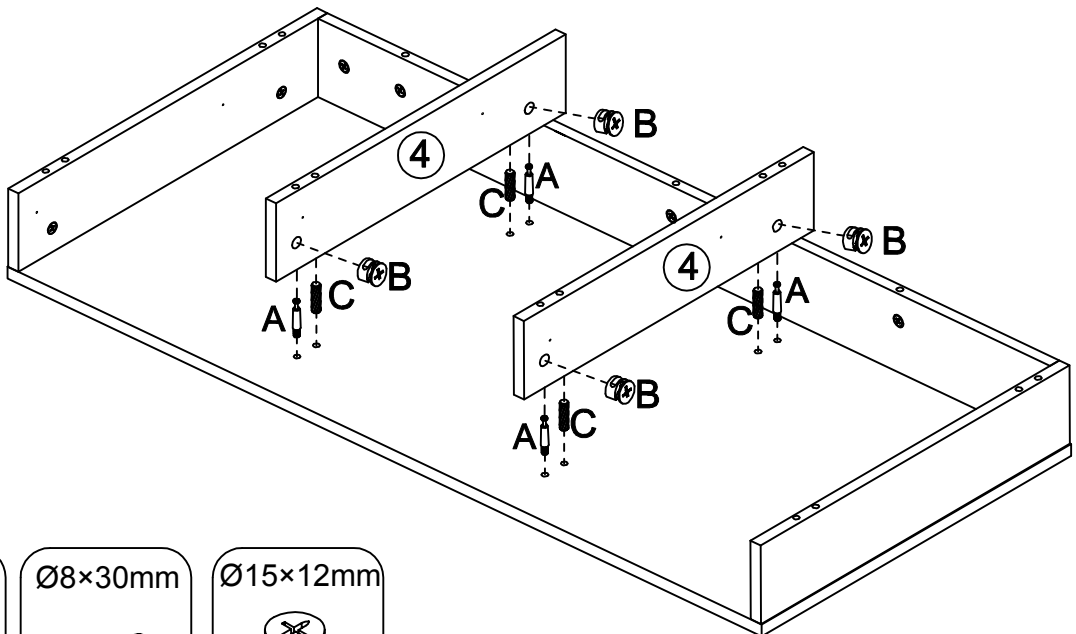
C × 4

Ø15×12mm

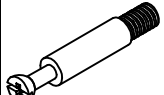


B × 7

6

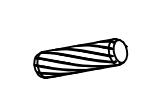


M6×45mm



A × 4

Ø8×30mm



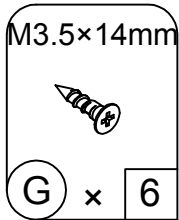
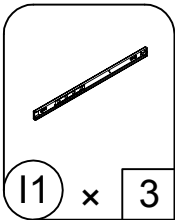
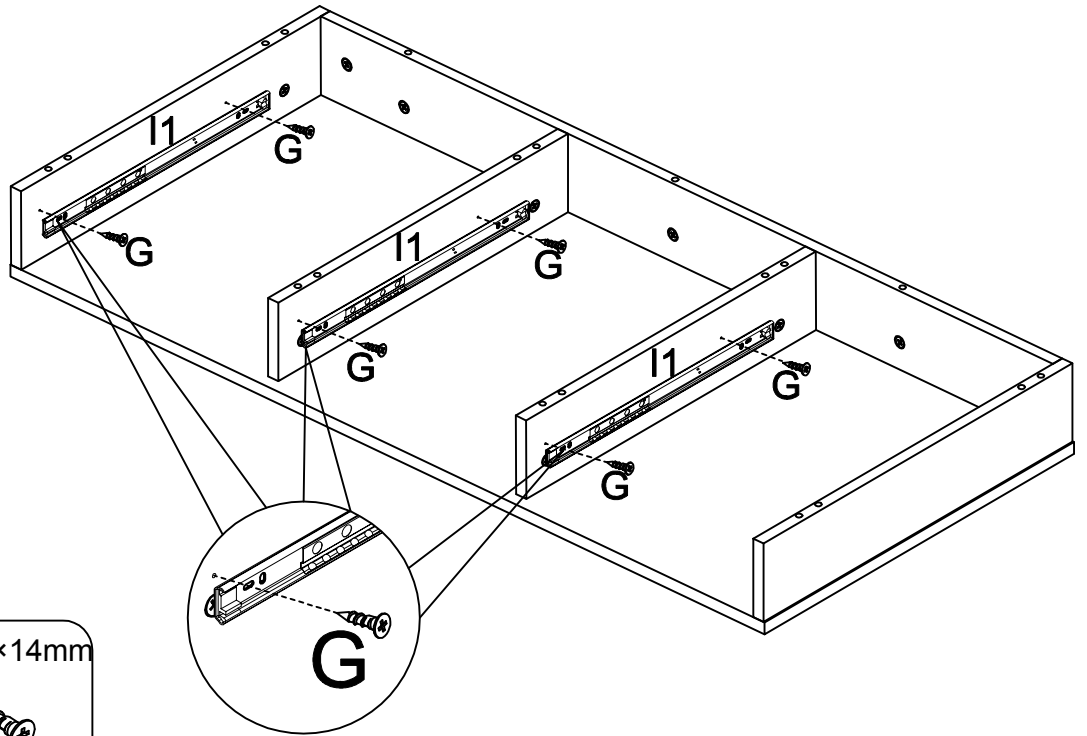
C × 4

Ø15×12mm

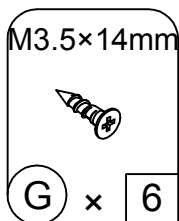
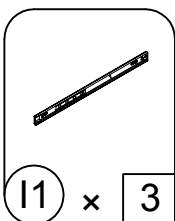
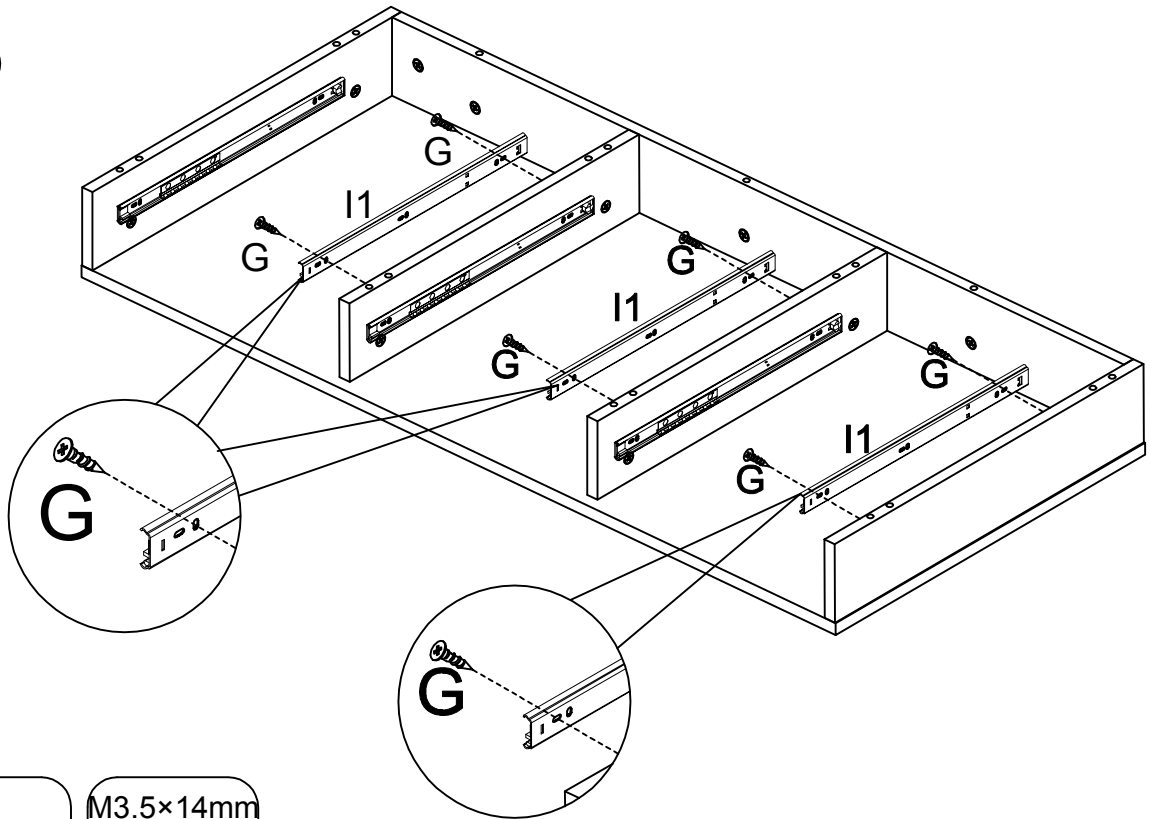


B × 4

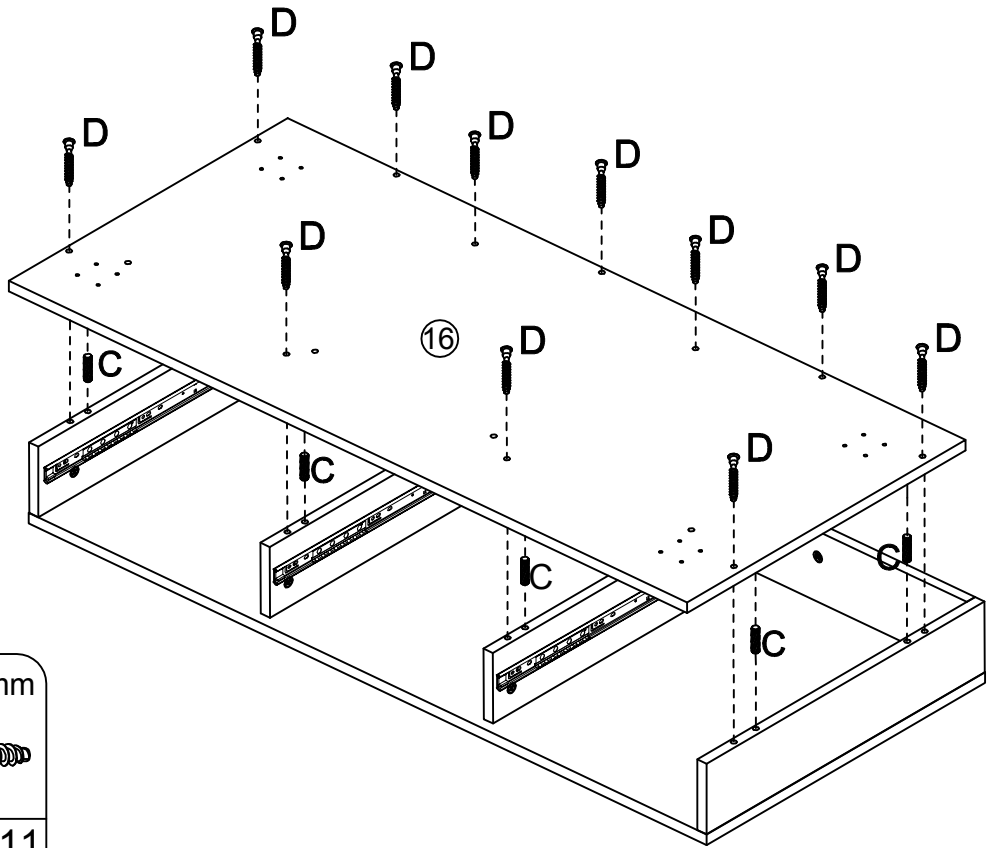
7




8



9




Ø8×30mm



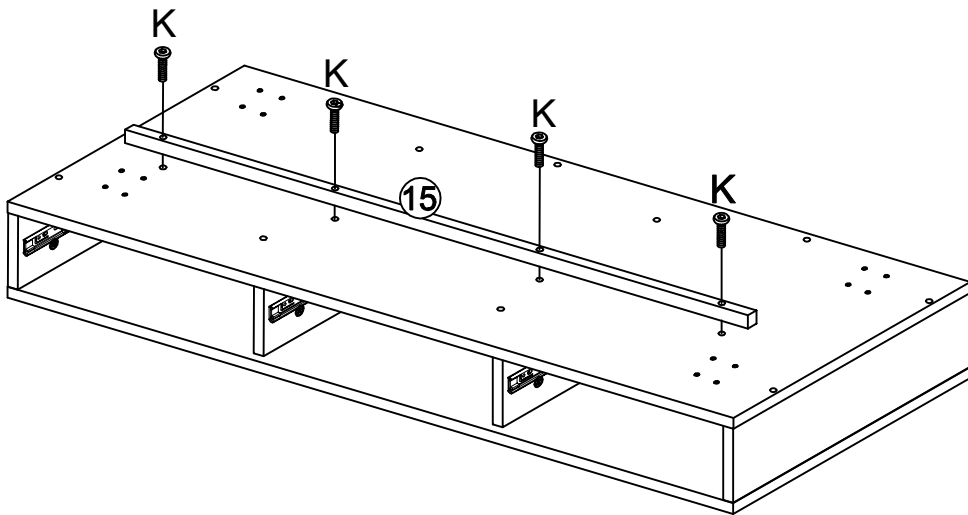
C x 8

M7×38mm




D x 11

10




M6×30mm



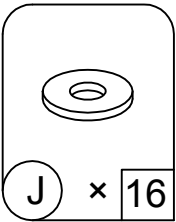
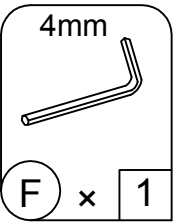
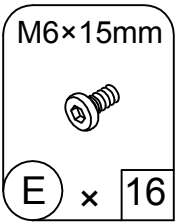
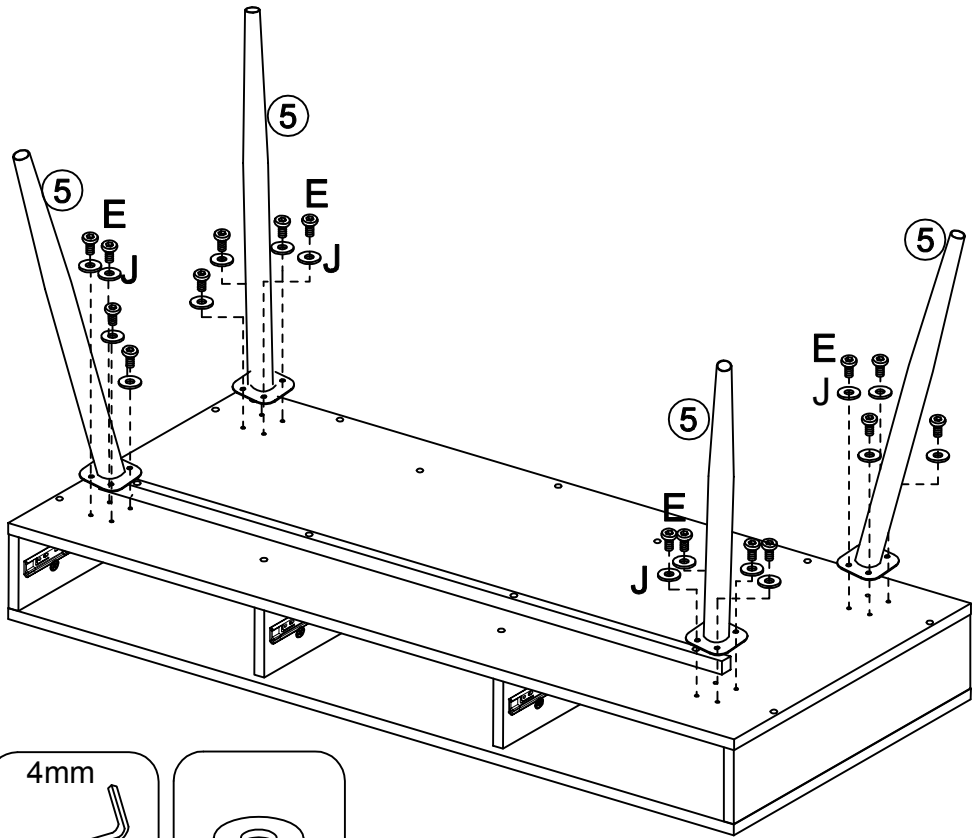
K x 4

4mm

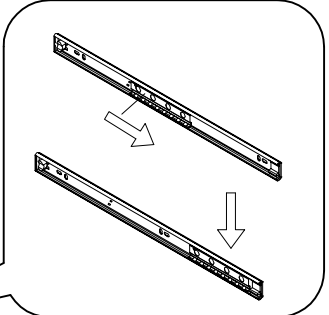
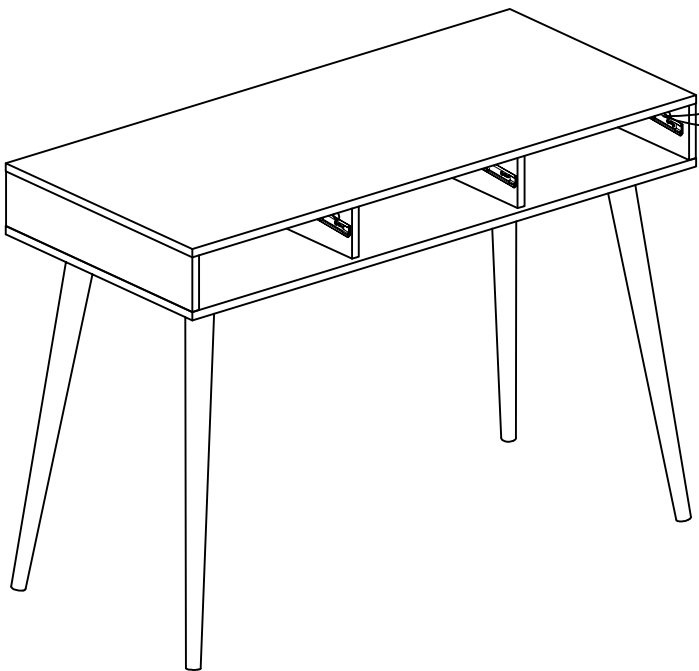


F x 1

11



12





13

